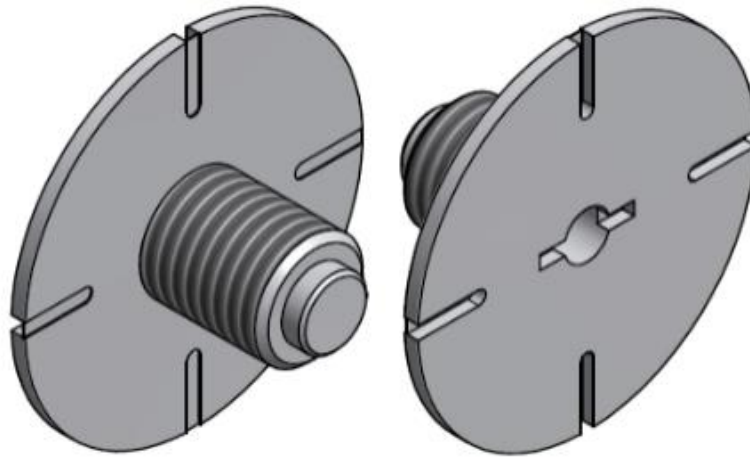
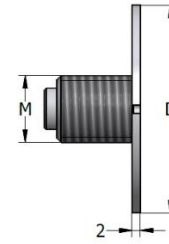
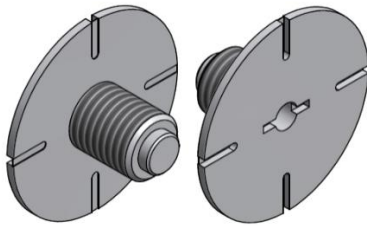


## MOUNTING INSTRUCTIONS



### 1D - LIFTING SYSTEMS | **KU-02 PLASTIC NAILING PLATE**



**PLASTIC NAILING PLATE KU-02**

The nailing plates KU-02 are used for affixing the PSA or PSAD reinforcement coupler to the formwork with nails. These are suitable for fixing the PSA reinforcement coupler to the surface of the concrete units.

## CONTACT



TERWA is the global supplier for precast and construction solutions with multiple offices around the world. With all our staff, partners and agents, we are happy to provide all construction and precast companies who work in the building industry with full service and 100% support.

### TERWA CONSTRUCTION GROUP

#### Terwa Construction Netherlands (HQ)

**Global Sales & Distribution**  
 Kamerlingh Onneslaan 1-3  
 3401 MZ IJsselstein  
 The Netherlands  
**T** +31-(0)30 699 13 29  
**F** +31-(0)30 220 10 77  
**E** [info@terwa.com](mailto:info@terwa.com)

#### Terwa Construction Central East Europe

**Sales & Distribution**  
 Strada Sânzieni  
 507075 Ghimbav  
 Romania  
**T** +40 372 611 576  
**E** [info@terwa.com](mailto:info@terwa.com)

#### Terwa Construction Poland

**Sales & Distribution**  
 Ul. Cicha 5 lok. 4  
 00-353 Warszawa  
 Poland  
**E** [info@terwa.com](mailto:info@terwa.com)

#### Terwa Construction India & Middle East

**Sales & Distribution**  
 India  
**T** +91 89 687 000 41  
**E** [info@terwa.com](mailto:info@terwa.com)

#### Terwa Construction China

**Sales & distribution**  
 5F 504, No. 101 Chuanchang road  
 PRC, 200032, Shanghai  
 China  
**E** [info@terwa.com](mailto:info@terwa.com)

**ALL SPECIFICATIONS CAN BE CHANGED WITHOUT PREVIOUS NOTICE.**

### DISCLAIMER

Terwa B.V. is not liable for deviations due to wear of the products it has delivered. Neither is Terwa B.V. liable for damage due to inaccurate and/or improper handling and use of the products it has delivered and/or use of same for purposes other than those intended.

Terwa B.V.'s responsibility is furthermore limited in accordance with article 13 of the "Metaalunie" conditions, which are applicable for all Terwa B.V. deliveries. The user is responsible for ensuring compliance with all applicable copyright laws. Without limiting the rights under copyright, no part of this documentation may be reproduced, stored in or introduced into a retrieval system, or transmitted in any form or by any means (electronic, mechanical, photocopying, recording, or otherwise), or for any purpose, without the express written permission of Terwa B.V.